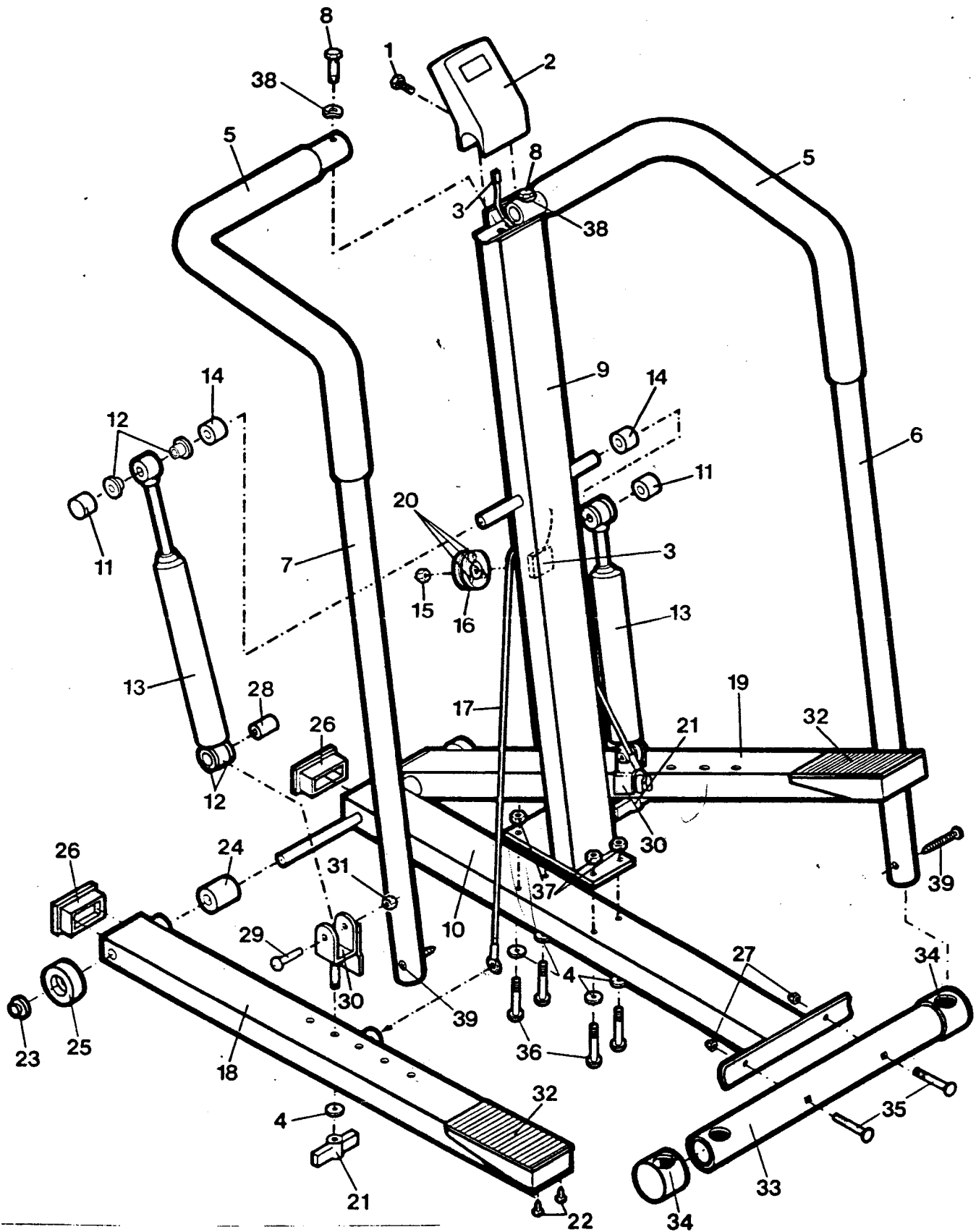


# PART LIST- Model No. WL510201

Rev. 9/90

Key No.	Qty.	Description	Key No.	Qty.	Description
1	1	Monitor Screw	22	4	Pedal Pad Screw
2	1	Electronic Monitor	23	2	Roller Retainer
<del>3</del>	1	Reed Switch/Sensor Wire	<del>24</del>	2	Pedal Spacer
4	6	Washer	<del>25</del>	2	Roller
<del>5</del>	2	Handrail Foam	<del>26</del>	3	Endcap
<del>6</del>	1	Right Handrail	<del>27</del>	2	Acorn Nut
<del>7</del>	1	Left Handrail	28	2	Cylinder Sleeve
8	2	Handrail Bolt	29	2	Cylinder Bolt
<del>9</del>	1	Frame	30	2	Cylinder Bracket
<del>10</del>	1	Base	31	2	Cylinder Nut
11	2	Cylinder Cap	<u>32</u>	2	Pedal Pad
12	8	Cylinder Bushing	<u>33</u>	1	Stabilizer
<del>13</del>	2	Resistance Cylinder	<u>34</u>	2	Stabilizer Cap
14	2	Cylinder Spacer	35	3	Stabilizer Bolt
<del>15</del>	1	Pulley Nut	36	4	Base Bolt
16	1	Pulley	37	4	Base Nut
17	1	Pedal Cable	<del>38</del>	2	Curved Washer
<del>18</del>	1	Left Pedal	39	2	Handrail Screw
<del>19</del>	1	Right Pedal	#	1	Owner's Manual
<del>20</del>	3	Magnet	#	1	Monitor Operation Guide
21	2	Bracket Knob	#	1	Allen Wrench

Note: "#" indicates a non-illustrated part. Specifications are subject to change without notice. See the back cover for information on ordering replacement parts.



\* Specifications are subject to change without notice.