

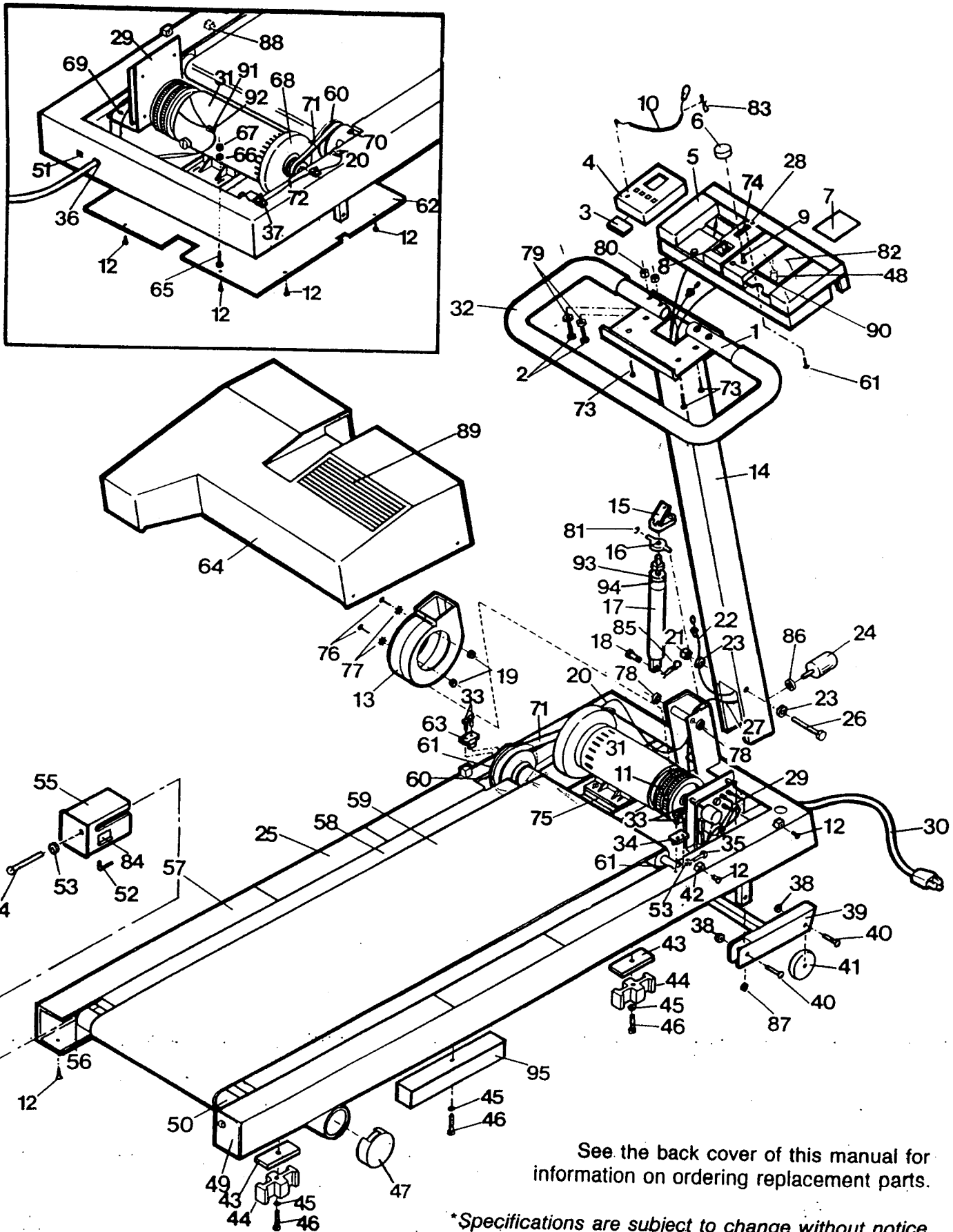
PART LIST - Model No. TL10.0A

Rev. 9/89

Key No.	Qty.	Description	Key No.	Qty.	Description
1	1	Handrail	49	1	Belt Adj. Bracket (R)
2	4	Handrail Bolt	50	1	Rear Roller
3	1	Battery Cover	51	1	Circuit Breaker
4	1	Electronic Monito	52	1	Allen Wrench
5	1	Console	53	3	Adj. Bracket Washer
6	1	Speed Control Knob	54	2	Rear Belt Adj. Bolt
7	1	Safety Card	55	1	Belt Adj. Bracket (L)
8	1	Incline Control Lever	56	4	Roller Bushing
9	1	Potentiometer Assembly	57	1	Frame
10	1	Earclip	58	1	Wood Platform
11	1	Fan	59	1	Walking Belt
12	16	Small Screw	60	1	Front Roller/Pulley
13	1	Fan Shroud	61	1	Indicator Mount Assembly
14	1	Handrail Upright	62	1	Safety Cover
15	1	Lift Cylinder Release	63	2	Roller Lock (L)
16	1	Threaded Pin	64	1	Motor Hood
17	1	Lift Cylinder	65	4	Motor Mount Bolt
18	1	Cylinder Pin	66	4	Motor Mount Washer
19	2	Shroud Clip	67	4	Motor Mount Nut
20	1	Sensor Wire/Reed Switch	68	1	Flywheel
21	1	Pivot Nut	69	2	Controller Mtg. Screw
22	1	Incline Cable	70	1	Magnet
23	2	Pivot Washer	71	1	V-Belt
24	1	Upright Locking Knob	72	1	Motor Pulley
25	2	Grip Tape	73	4	Console Mounting Screw
26	1	Pivot Bolt	74	1	Incline Indicator
27	1	On/Off Switch Wire	75	2	Motor Mount Spacer
28	1	Indicator Adj. Screw	76	2	Fan Shroud Screw
29	1	Controller	77	2	Shroud Star Washer
30	1	Power Cord	78	2	Inner Pivot Washer
31	1	Motor	79	4	Handlebar Washer
32	1	Handrail Foam Grip	80	4	Handlebar Nut
33	4	Roller Lock Bolt	81	2	E-Clip
34	1	Roller Lock (R)	82	1	Safety Switch Assembly
35	1	Front Belt Adj. Bolt	83	1	Clothes Clip
36	4	Rubber Grommet	84	1	Self-Adhesive Clamp
37	4	Sensor Wire Clip	85	1	Cotter Pin
38	4	Locknut	86	1	Upright Knob Washer
39	1	Incline Leg	87	2	Incline Pivot Washer
40	4	Leg Bolt	88	6	Platform Bumper
41	2	Front Wheel	89	1	Motor Hood Grill
42	6	Hood Mount Anchor	90	1	Power Light
43	4	Rubber Fitting	91	1	Cable Mount
44	4	Support Block	92	1	Cable Tie
45	6	Support Washer	93	1	Large Flat Washer
46	6	Support Bolt	94	1	Rubber Shock Cushion
47	2	Rear Leg Endcap	95	2	Wood Support
48	1	On/Off Switch	#	1	Owner's Manual
			#	1	Monitor Operation Guide

EXPLODED DRAWING - Model No. TL10.0A

Rev. 9/89



See the back cover of this manual for information on ordering replacement parts.

*Specifications are subject to change without notice.